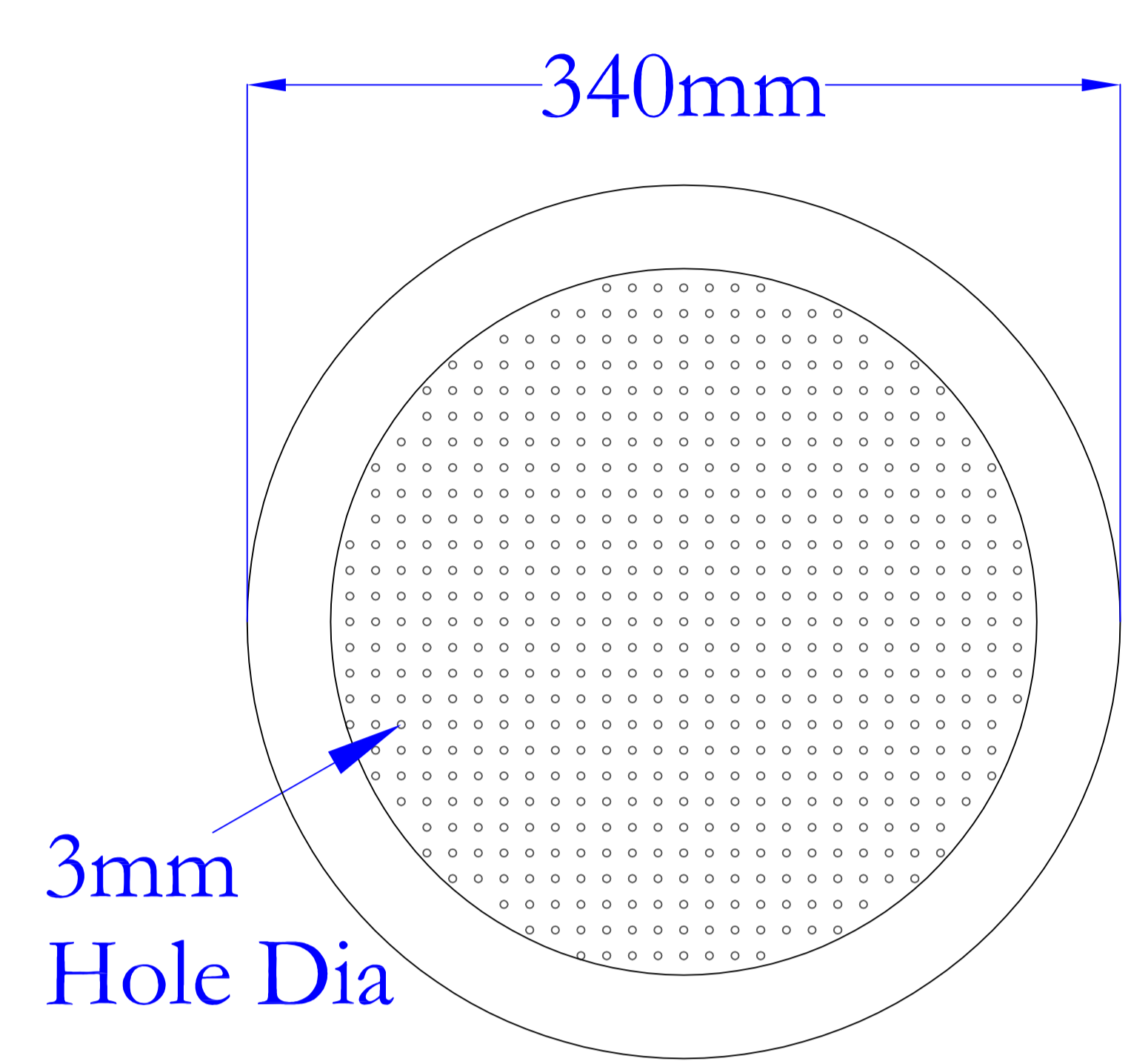


TOP VIEW  
225DN SS304 Plate For 15Ltr Unit



PTFE Perforated Sheet

Battery Limit : Ablaze Scope  
Client Scope  
All dimension are in mm  
All glass part made of borosilicate glass 3.3

JL Tech.	Title :				MODEL
	15L Nutsche Filter With Manual Lifting				15LTR
	Drg. No:-937	Dated	Rev	Design by	Reference
		10th Jan 2018	00	Jaimin	Rohit Gupta